



*Heart  
of Sauna*



**SKAMET**

PRODUCT CATALOG



# ABOUT THE COMPANY

## Sauna stoves ↻ Water tanks ↻ Smoke pipes ↻ Smoke ovens

Skamet OÜ was founded in 2006 in Pärnu, where our production factory and office are still located. Our products can be purchased at distributors and/or e-shops. Our products include: wood-burning sauna stoves, water boilers, smoke ovens, heating stoves, water tanks and various sauna accessories (smoke pipes, elbows, sleeves, caps, transitions, etc.).

The company's management is based on the ISO 9001:2015 standard. Since 2007, Skamet OÜ is a member of the Estonian Chamber of Commerce and Industry. In 2008, the company developed a production control system, on the basis of which the company has the right to use the CE mark on its products.

From 2012, a new standard began to apply in the EU, based on which sauna stoves can be manufactured and sold in Europe. Skamet was the first in Estonia, including among the first in Europe, to issue this certificate for its products. Based on the results of these tests, we can say that Skamet sauna stoves are the most efficient wood-burning stoves in Estonia.

Skamet's main product is wood-burning sauna stoves – with both metal and net casings, heated from the steam room and from another room, with or without boiler connection, water tank, etc. Our sauna stoves are of high quality and handcrafted. The efficiency of our sauna stoves is over 70% thanks to the two built-in smoke channels, which do not let the heat escape immediately from the stove. This, in turn, ensures a low temperature in the chimney and its flues, low air pollution indicators, and thus the efficiency remains mostly in the hearth/smoke ducts.



Skamet team on a trip to Valmiera

## The manufacturer recommends:

- 🔥 Choose a sauna stove with a metal casing if the time you stay in the sauna is usually within 2 hours;
- 🔥 Choose a sauna stove with a net casing if you spend more than 2 hours in the sauna.

## How to choose a sauna stove with the right power?

When choosing the sauna stove, it is important to know the volume of your steam room, so that you do not buy a heater that cannot heat the steam room or, on the contrary, turns out to be unnecessarily powerful. With a properly selected sauna stove, less firewood is needed to heat up the sauna quickly. If the heating capacity is too small, you have to heat the oven longer and more intensively, which in turn reduces the life of the product.

The formula for space is length x width x height. At the same time, uninsulated surfaces must also be taken into account, e.g. glass door, window, stone wall, chimney, etc. The rule is that for every uninsulated square meter, 1,2 m<sup>3</sup> should be added to the volume of the steam room.

There are three options to choose from:

- 🔥 The cubic capacity of the steam room is between 7-12 m<sup>3</sup> – choose a mini sauna stove
- 🔥 The cubic capacity of the steam room is between 8-18 m<sup>3</sup> – choose a medium sauna stove
- 🔥 The cubic capacity of the steam room is between 16-25 m<sup>3</sup> – choose a large sauna stove

## Heating time

If you choose the right sauna stove according to the size of your steam room and other parameters, the heating time of sauna stoves with a metal casing is about 30-45 minutes. The heating time of sauna stoves with net casing is longer, about 60-90 minutes. A large number of stones keep the steam room warm for a long time, even when the fire in the hearth has already gone out.

## How our sauna stoves are built?

The pictures show the cross-section of our sauna stoves. The arrow shows the flow of smoke in the smoke channel. With sauna stoves of this construction, the flame does not reach the chimney, which means higher efficiency indicators. The hearth ceiling of the standard model is made of 6 mm and the back wall of 4 mm hot rolled. Skamet manufactures two types of ovens – with a metal casing and a net casing. The construction of the contents of all stoves is identical.



# SAUNA STOVES WITH METAL CASING

Heated from the steam room



Sauna stoves with a metal casing have been produced in Pärnu since the mid-1990s. They were initially produced by Härma Metall. Since 2006, the manufacturer has been SKAMET. If you choose the right sauna stove according to the size of your stage and other parameters (without a water tank), the heating time is about 30-45 minutes (with a water tank, the time increases according to the size). Proper intake of fresh air and exhaust of used air is also necessary. Skamet OÜ confirms that the sauna stoves meet the requirements of the CE certificate of conformity and that the EN 15821:2010 standard has been followed in their production.

Medium model **P-116 GL** (8-18 m<sup>3</sup>)

Large model **P-120 GL** (16-25 m<sup>3</sup>)

## Standard product parameters:

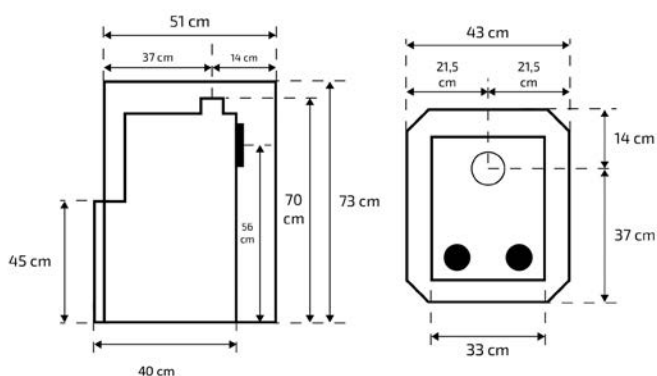
- » glass door 230 x 230 mm
- » chimney connection from top and back
- » sauna stove casing color black
- » door hinges on the left

## Additional options:

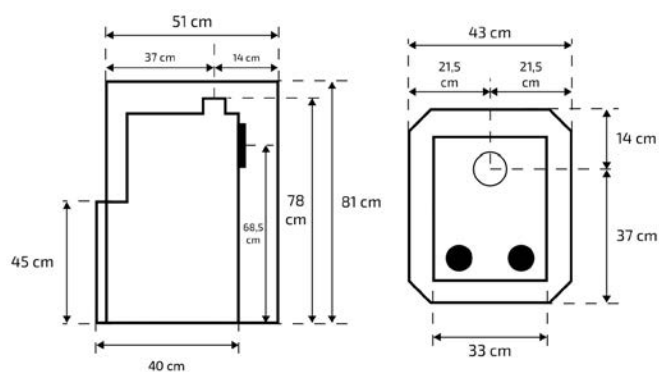
- » metal door
- » door hinges on the right
- » upper edge of the casing stainless
- » boiler connection (right, left, back)



**P-116**



**P-120**





# SAUNA STOVES WITH METAL CASING

Heated from another room



Medium model **P-216 GL** (8-18 m<sup>3</sup>)

Large model **P-220 GL** (16-25 m<sup>3</sup>)

### Standard product parameters:

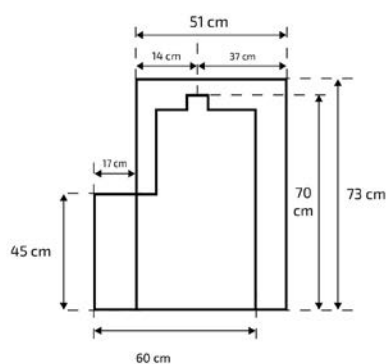
- » glass door 230 x 230 mm
- » chimney connection from above
- » sauna stove casing color black
- » door hinges on the left

### Additional options:

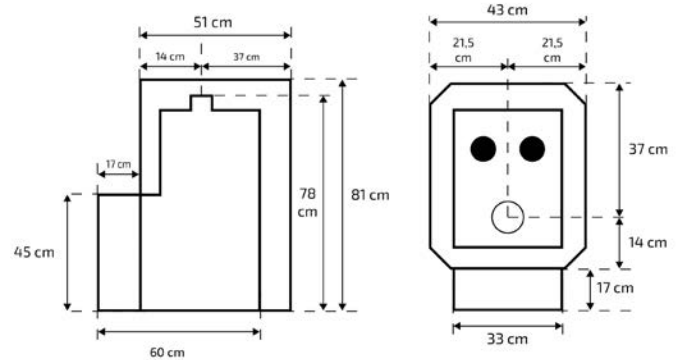
- » metal door
- » door hinges on the right
- » upper edge of the casing stainless
- » boiler connection (right, left, back)



**P-216**



**P-220**



# SAUNA STOVES WITH SQUARE NET CASING

Heated from the steam room



We have been producing sauna stoves with a net casing since mid-2006. If you choose the right sauna stove (without a water tank) according to the size of your stage and other parameters, the heating time is approximately 60-90 minutes (with a water tank, the time increases depending on the size). It is also necessary to properly bring in fresh air and exhaust used air. Skamet OÜ confirms that the sauna stoves meet the requirements of the CE certificate of conformity and that the EN 15821:2010 standard has been followed in their production.

Medium model **S-116 GL** (8-18 m<sup>3</sup>)

Large model **S-120 GL** (16-25 m<sup>3</sup>)

## Standard product parameters:

- » glass door 230 x 230 mm
- » chimney connection from above
- » sauna stove casing color black
- » door hinges on the left

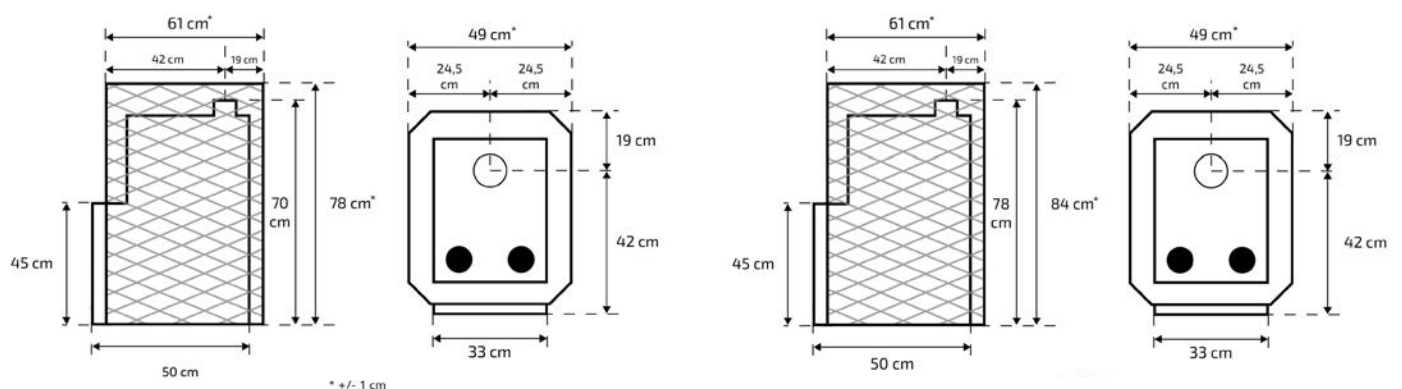
## Additional options:

- » metal door
- » door hinges on the right
- » chimney connection from the back wall
- » boiler connection (right, left, back)



**S-116**

**S-120**





# SAUNA STOVES WITH SQUARE NET CASING

Heated from another room



Medium model **S-216 GL** (8-18 m<sup>3</sup>)

Large model **S-220 GL** (16-25 m<sup>3</sup>)

### Standard product parameters:

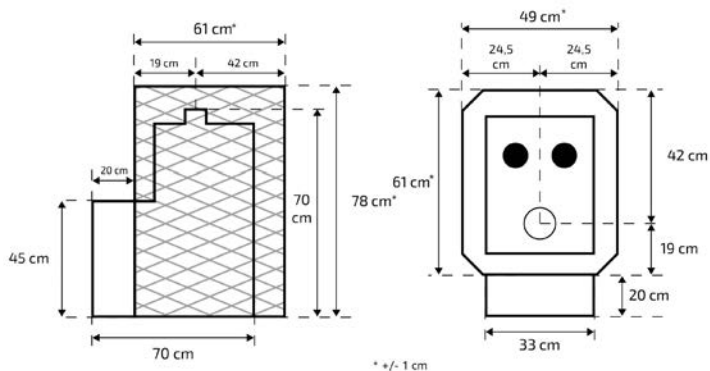
- » glass door 230 x 230 mm
- » chimney connection from above
- » sauna stove casing color black
- » door hinges on the left

### Additional options:

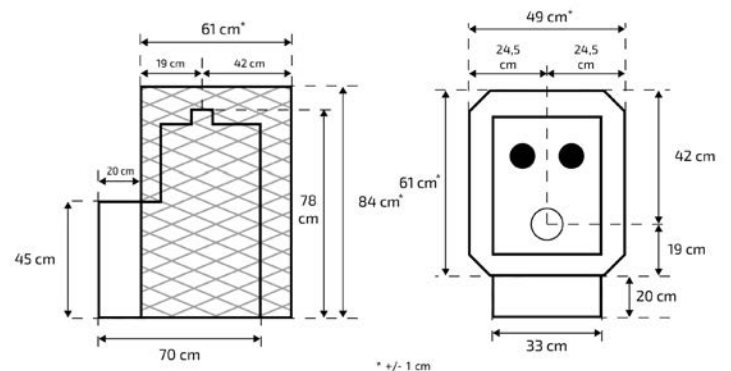
- » metal door
- » door hinges on the right
- » chimney connection from the back wall
- » boiler connection (right, left, back)



**S-216**



**S-220**



# SAUNA STOVES WITH ROUND NET CASING

Heated from the steam room



Medium model **SY-116 GL** (8-18 m<sup>3</sup>)

Large model **SY-120 GL** (16-25 m<sup>3</sup>)

### Standard product parameters:

- » glass door 230 x 230 mm
- » chimney connection from above
- » sauna stove casing color black
- » door hinges on the left

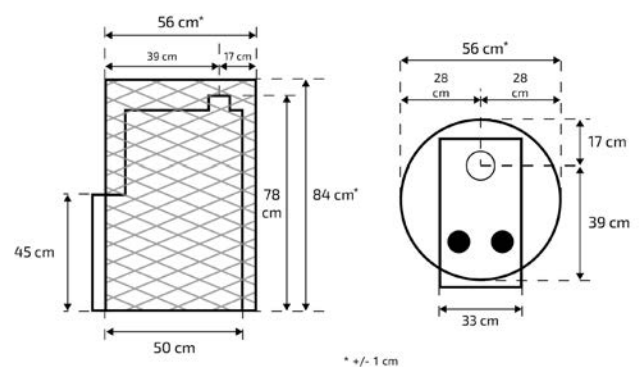
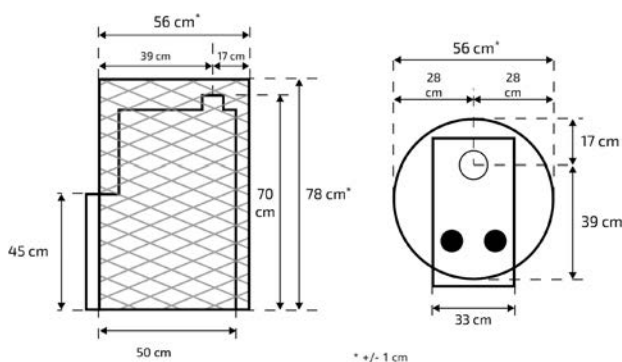
### Additional options:

- » metal door
- » door hinges on the right
- » chimney connection from the back wall
- » boiler connection (right, left, back)



**SY-116**

**SY-120**





# SAUNA STOVES WITH ROUND NET CASING

Heated from another room



Medium model **SY-216 GL** (8-18 m<sup>3</sup>)

Large model **SY-220 GL** (16-25 m<sup>3</sup>)

### Standard product parameters:

- » glass door 230 x 230 mm
- » chimney connection from above
- » sauna stove casing color black
- » door hinges on the left

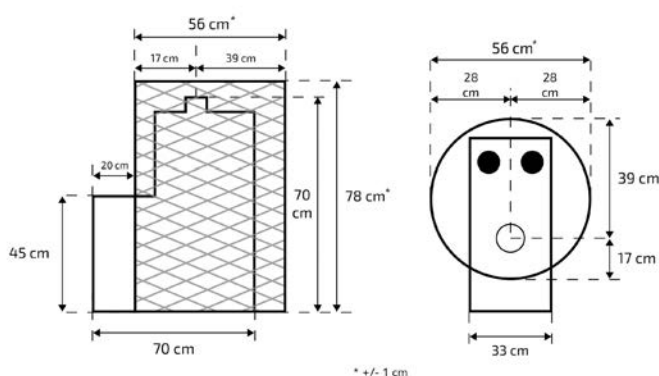
### Additional options:

- » metal door
- » door hinges on the right
- » chimney connection from the back wall
- » boiler connection (right, left, back)

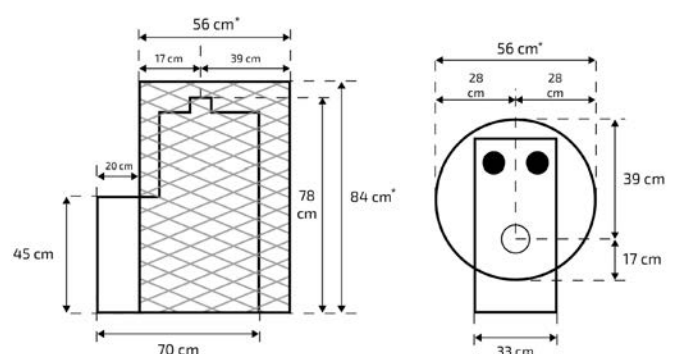


**SY-216**

**SY-220**



\* +/- 1 cm



\* +/- 1 cm

# SAUNA STOVES WITH FIREPLACE-SIZED DOORS

Heated from another room, with metal casing, stainless steel panel and handle



If you want to heat your sauna and at the same time enjoy a live fire on the sofa in another room, then a sauna stove with a fireplace-sized door is just for you. The stove has a larger (330 x 330 mm) glass door, which provides coziness and a real fireplace effect. Skamet OÜ confirms that the sauna stoves meet the requirements of the CE conformity certificate and their production has been carried out in accordance with the EN 15821:2010 standard.

Medium model **PT-216 GL** (8-18 m<sup>3</sup>)

Large model **PT-220 GL** (16-25 m<sup>3</sup>)

## Standard product parameters:

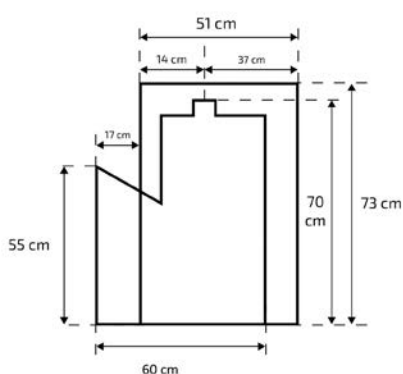
- » glass door 330 x 330 mm
- » chimney connection from above
- » upper edge of casing stainless
- » door hinges on the left

## Additional options:

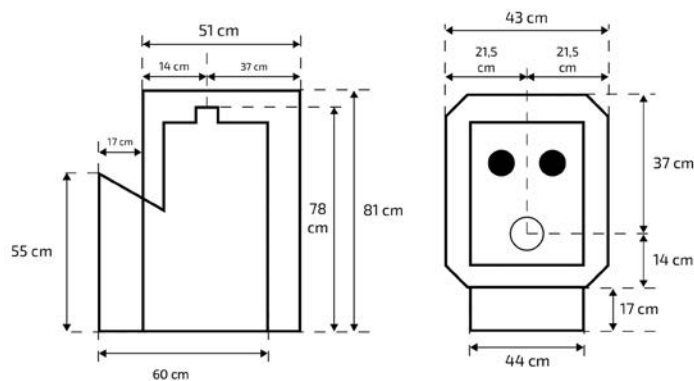
- » completely stainless casing
- » door hinges on the right
- » chimney connection from the back wall
- » boiler connection (right, left, back)



**PT-216 GL**



**PT-220 GL**





# SAUNA STOVES WITH FIREPLACE-SIZED DOORS

Heated from another room, square or round casing

Medium model **ST-216 GL** (8-18 m<sup>3</sup>), square  
 Large model **ST-220 GL** (16-25 m<sup>3</sup>), square  
 Medium model **STY-216 GL** (8-18 m<sup>3</sup>), round  
 Large model **STY-220 GL** (16-25 m<sup>3</sup>), round

## Standard product parameters:

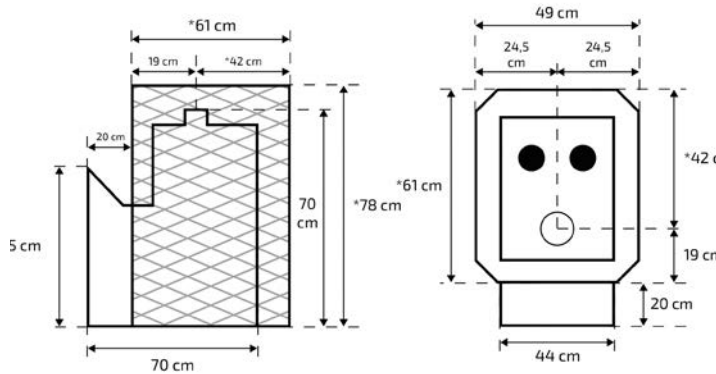
- » glass door 330 x 330 mm
- » chimney connection from above
- » sauna stove casing color black
- » door hinges on the left

## Additional options:

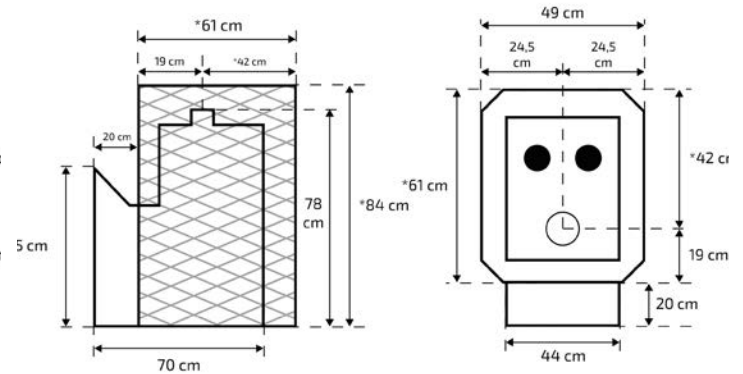
- » completely stainless casing
- » door hinges on the right
- » chimney connection from the rear wall
- » boiler connection (right, left, back)



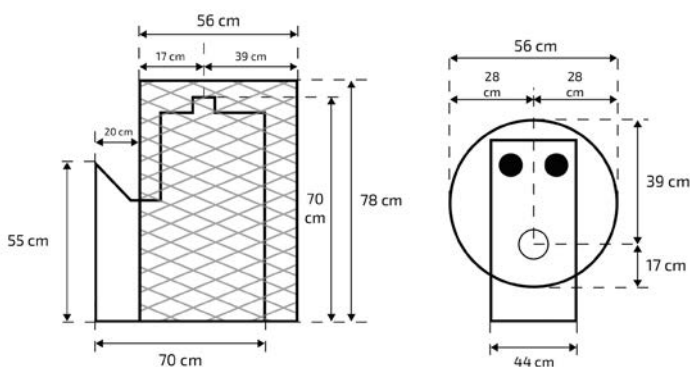
**ST-216 GL**



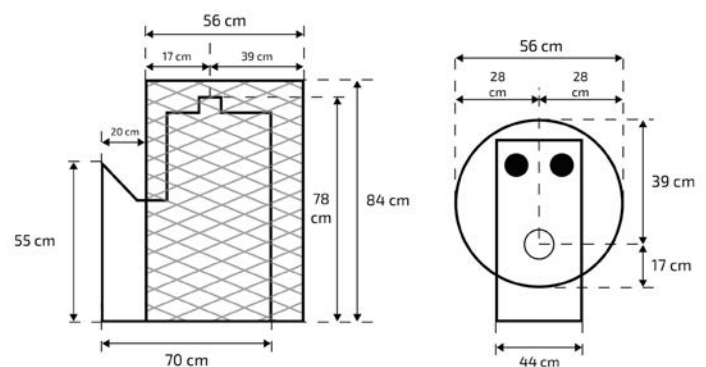
**ST-220 GL**



**STY-216 GL**



**STY-220 GL**



# SAUNA STOVES WITH WATER TANK CONNECTION

We produce all our medium and large sauna stoves with the option of connecting a water tank. The water pocket can be connected to the right, left or back.

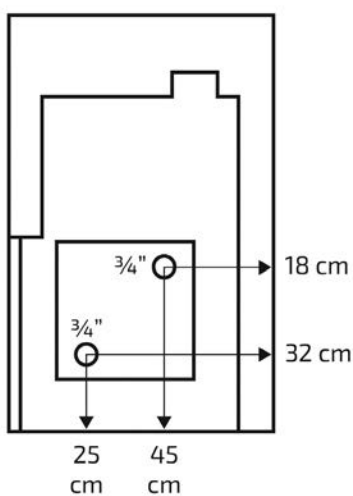
The water is supplied and discharged using two  $\frac{3}{4}$ " nipples (external thread).

The water heater has a capacity of approx. 3 l.

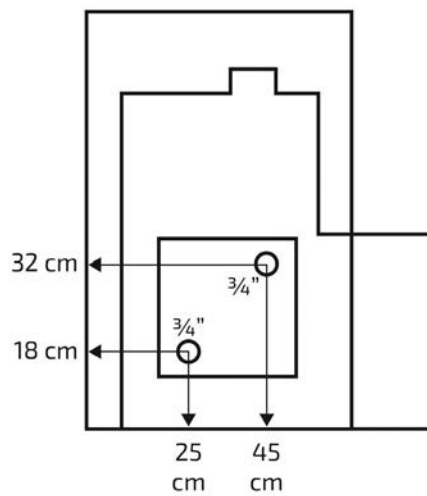


## Boiler connection sketches for metal casing stoves

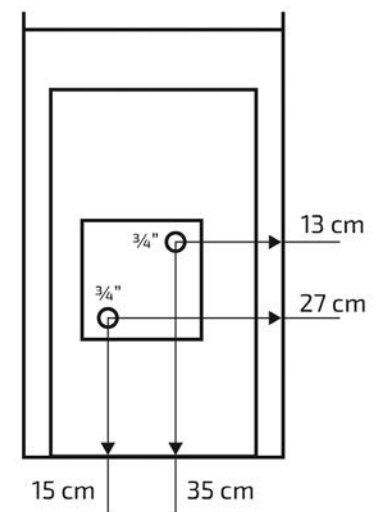
Connection – right side



Connection – left side



Connection – back side





# SAUNA STOVES WITH 40 L WATER TANK



A sauna stove with a water tank is a good choice for summer houses or country saunas, as it has a 40 l water tank. If you have a sauna house by a river or lake, where there is no proper water system, but you still want hot water, then a heater with a tank is the right solution for you. While the heater heats the steam room, the tank heats up quickly and supplies hot washing water. Since the heater tank is removable, it is easy to replace. The tank can be ordered in black metal or stainless steel.

NB! If you have poorer quality water, it is definitely advisable to decide in favor of a stainless steel tank, as black metal causes rust and as a result, your water may not be suitable for washing.

## Heated from the steam room:

Medium model **P-11640 GL / P11640 RVGL** (8-18 m<sup>3</sup>)

Large model **P-12040 / P-12040 RV** (16-25 m<sup>3</sup>)

## Heated from another room:

Medium model **P-21640 GL / P-21640 RVGL** (8-18 m<sup>3</sup>)

Large model **P-22040 GL / P-22040 RVGL** (16-25 m<sup>3</sup>)

### Standard product parameters:

- » glass door 230 x 230 mm
- » chimney connection from above (also from behind if heated from the same room)
- » upper edge of casing stainless
- » door hinges on the left

### Additional options:

- » metal door
- » door hinges on the right
- » casing made entirely of stainless metal



# SAUNA STOVES WITH 20-25 L STAINLESS WATER TANK



## Heated from the steam room

Medium model **P-11620 RVGL** (8-18 m<sup>3</sup>)

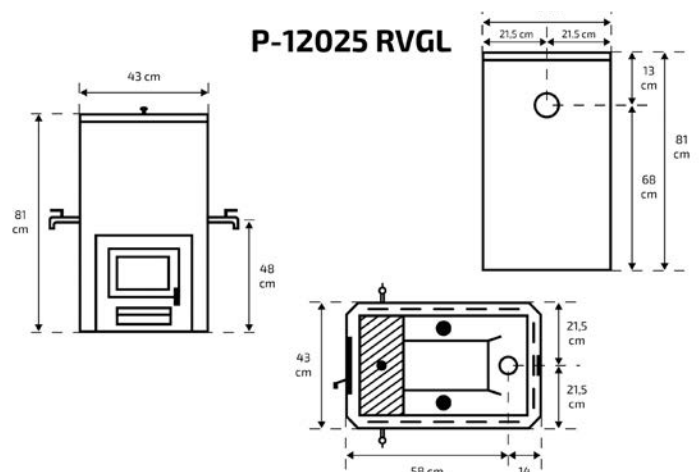
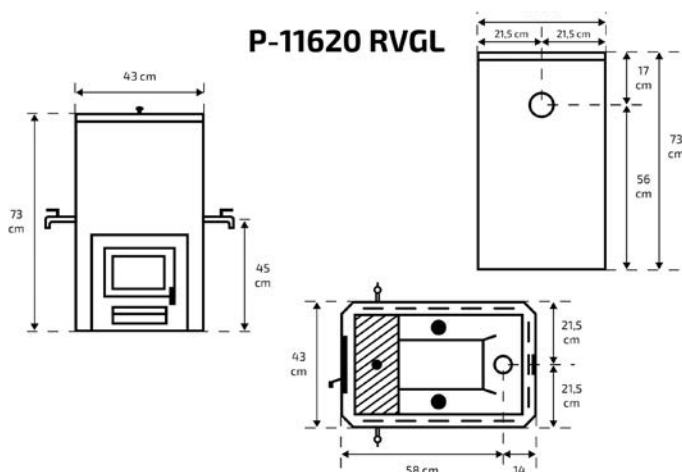
Large model **P-12025 RVGL** (16-25 m<sup>3</sup>)

### Standard product parameters:

- » glass door 230 x 230 mm
- » chimney connection from top and back
- » stainless water tank located in front
- » door hinges on the left
- » upper edge of the casing stainless

### Additional options:

- » metal door
- » door hinges on the right
- » casing made entirely of stainless steel





# MINI SAUNA STOVES

Metal casing



Mini sauna stove models are designed for heating smaller sauna rooms and barrel saunas and are intended for dry or wet steam. The stoves are equipped with a double wall on three sides (on the sides and back), which reduces the minimum safe distances by half. Skamet OÜ confirms that the sauna stoves meet the requirements of the CE certificate of conformity and their production has been carried out in accordance with the EN 15821:2011-01 standard.

Model **PS-110 GL** (7-12 m<sup>3</sup>), heated from the steam room  
 Model **PS-210 GL** (7-12 m<sup>3</sup>), heated from another room

### Standard product parameters:

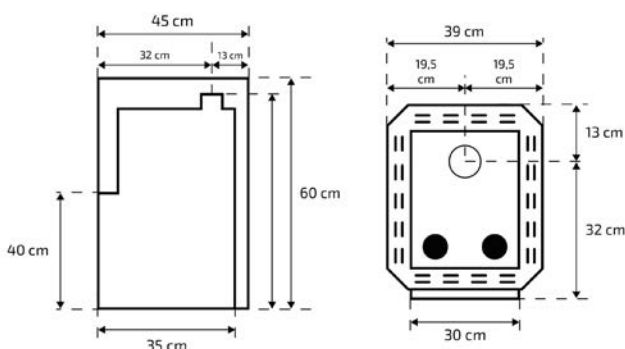
- » glass door 200 x 220 mm
- » chimney connection from above
- » sauna stove casing color black
- » door hinges on the left

### Additional options:

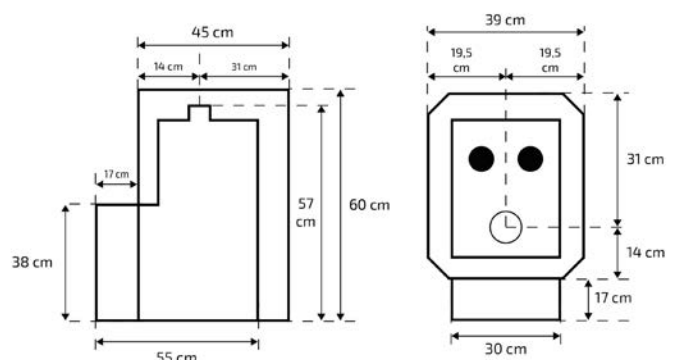
- » stainless steel handle
- » right door hinges
- » completely stainless steel casing



**PS-110 GL**



**PS-210 GL**



# MINI SAUNA STOVES

Net casing

## Heated from the steam room:

Model **SS-110 GL** (7-12 m<sup>3</sup>), square

Model **SSY-110 GL** (7-12 m<sup>3</sup>), round

## Heated from another room:

Model **SS-210 GL** (7-12 m<sup>3</sup>), square

Model **SSY-210 GL** (7-12 m<sup>3</sup>), round

### Standard product parameters:

- » glass door 200 x 220 mm
- » chimney connection from above
- » door hinges on the left

### Additional options:

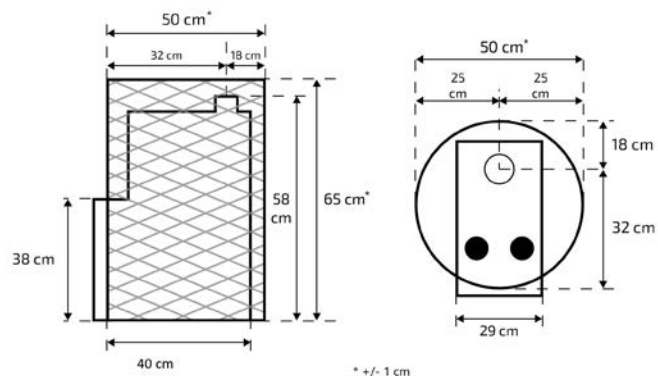
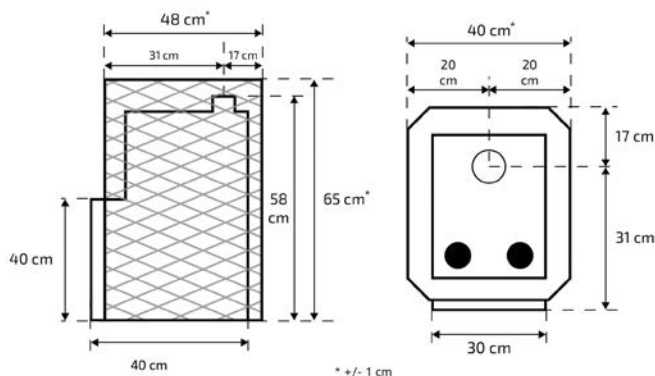
- » stainless steel handle
- » door hinges on the right
- » casing made entirely of stainless steel



## Sketch of a stove heated from a steam room

**SS-110 GL**

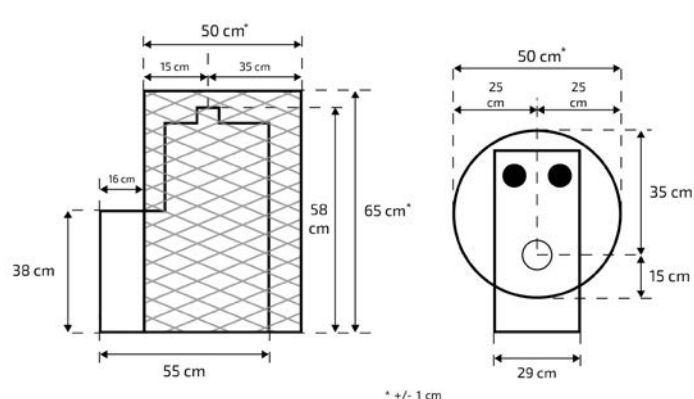
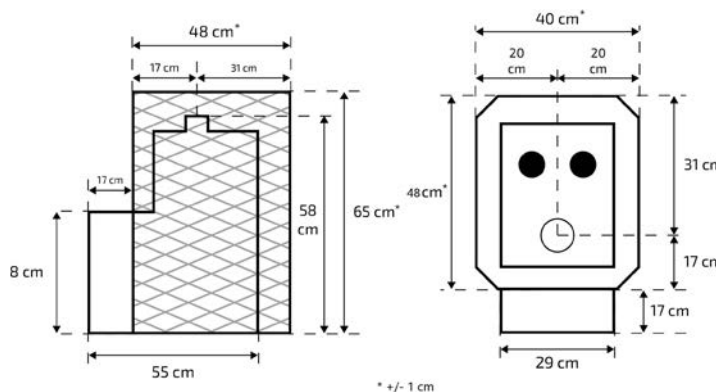
**SSY-110 GL**



## Sketch of a stove heated from another room

**SS-210 GL**

**SSY-210 GL**





# COOKER, SMOKING OVENS, BARBEQUE GRILLS

Stoves are ideal for cooking and heating rooms in summer houses and country houses with a heated volume of 20-150 m<sup>3</sup>. The stoves are manufactured in accordance with the EN 13240:2007 standard.

## Cooker – C-120 GL

### Standard product parameters:

- » glass door 230 x 230 mm
- » chimney connection from the back
- » cast iron baking tray
- » storage for firewood



## Smoking ovens

In 2008, Skamet OÜ launched smoke ovens designed for hot smoking fish, meat and poultry. The oven is suitable for use in a summer house, a private house garden or a country home. The hot smoke oven has a double-walled construction (on the sides and back), between which the moving heating smoke maintains a stable and even temperature in the stove. If the outside temperature is low, the double walls prevent condensation from forming in the smoke oven.

### We produce in three different sizes:

**GSS-125:** 40 x 40 x 125 cm, two cooking grates

**GSS-200:** 50 x 50 x 170 cm, four cooking grates

**GSS-200 XL:** 50 x 50 x 190 cm, six cooking grates

### Standard product parameters:

- » stainless steel cooking grates
- » oil bath and/or water bath
- » square chimney with damper (removable)
- » thermometer
- » ash drawer
- » skewer holders



## Barbeque grills

We make barbecue grills in various sizes that are easy to use and take with you camping.

**LV-100** 100 x 40 x 17cm

**LV-70** 70 x 30 x 17cm

**LV-50** 50 x 30 x 17cm



### Standard product parameters:

- » removable legs
- » material thickness 3 mm
- » height 90cm

## Fire tray

The fire pit is intended for use either for making a fire or for grilling meat.

### Standard product parameters:

- » diameter 450 mm
- » height 300 mm
- » material thickness 2 mm (also possible from thicker material)
- » on legs



# WATER TANKS

We manufacture various containers: water tanks, accumulation tanks. Both from ferrous metal and stainless steel. The standard diameter of a water tank is 40 or 45 cm and the capacity is 80–150 liters. We produce both closed system water tanks, which can be connected to the water mains, and open water tanks, which can be used without pressure. Water tanks can be ordered horizontal or vertical. It is recommended to ground all water heaters.

## Closed system water tanks

### **B-80, B-110, B-130, B-150**

#### **Standard product parameters:**

- » capacity 80–150 liters
- » horizontal or vertical (nipples on the left or right)
- » ferrous metal (3mm)
- » stainless steel (2 mm) with anode and ground terminal
- » diameter – Ø 400 or 450 mm



## Open water tanks

### **BO-80, BO-110, BO-130, BO-150**

#### **Standard product parameters:**

- » capacity 80–150 liters
- » nipples on the right or left
- » black metal (3 mm)
- » stainless metal (2 mm)
- » diameter – Ø 400 or 450 mm
- » 1/2" nipple at the bottom for draining water



NB! Sketches of all our products are available on the website [www.skamet.ee](http://www.skamet.ee).



# ACCESSORIES FOR SAUNA STOVES

Skamet produces single-walled flues of various diameters and sizes. In addition to straight pipes, we produce flue elbows and dampers for both sauna stoves and fireplaces. Standard products have a 1.2 mm thick wall. It is also possible to make them from thicker material. All flues are made of ferrous metal. Our products also include various decorative moldings and nets that go around the flue.

## Smoke pipes

### Standard product parameters:

- » length 500–1000 mm
- » diameter 115–200 mm
- » material thickness 1,2 mm



## Flue dampers

### Standard product parameters:

- » drawer slide – closes approx. 95%
- » rotary slide – closes approx. 80%
- » internal diameter 115–200 mm
- » material thickness 1,2 mm
- » TS model handle length 160–500 mm



## Hat for a smoke pipe

The product is designed to prevent precipitation from reaching the chimney and the oven. The material is black metal and the thickness is 1,2 mm.



## Net around smoke pipe

### Standard product parameters:

- » closed or hinged
- » lengths: 250, 380, 500, 600, 700, 800, 1000 mm
- » diameter Ø 250 mm



## Protective wall

We produce protective walls for sauna stoves in different sizes.



## Flue elbows

### Standard product parameters:

- » lengths (external dimensions): 300 x 300, 400 x 400, 400 x 600, 600 x 600, 400 x 1000 mm
- » diameter 115–200 mm
- » material thickness 1,2 mm
- » elbow degrees 90 – 135°
- » also possible with a cleaning hatch



## Flue transition

Flue pipe transitions are designed to connect or continue two flue pipes of different diameters. Standard diameter from 103 mm to 200 mm. Can be made with different diameters. Material ferrous metal, thickness 1,2 mm and height 200 mm. Can be made of thicker material and different lengths.



## Decorative slat for sauna stove door

### Standard product parameters:

- » for models heated from another room
- » made of black metal or stainless steel
- » covers a gap of approx. 3,5 cm
- » can also be ordered in other sizes



## Fire floor protection

We produce the bottom plate for sauna stoves in different sizes.





ENJOY THE STEAM!



**SKAMET**

**OÜ Skamet**  
Savi 9, Pärnu  
Estonia  
+372 440 1001  
info@skamet.ee  
www.skamet.ee



Heart  
of Sauna



**SKAMET**

PRODUKTŲ KATALOGAS



## Pirties krosnelės ◀ Vandens talpyklos ◀ Dūmtraukiai ◀ Rūkymo krosnys

„Skamet OÜ“ buvo įkurta 2006 m. Pärnu mieste, kur iki šiol veikia mūsų gamykla ir biuras. Mūsų produktų galima įsigyti platintojų ir (arba) elektroninėse parduotuvėse. Mūsų siūlomi produktai: malkomis kūrenamos pirties krosnelės, vandens katilai, rūkymo krosnys, šildymo krosnelės, vandens talpyklos ir įvairūs pirčių priedai (dūmtraukiai, alkūnės, movos, dangteliai, pereinamieji vamzdžiai ir kt.).

Įmonės valdymas grindžiamas ISO 9001:2015 standartu. Nuo 2007 m. „Skamet OÜ“ yra Estijos prekybos ir pramonės rūmų narė. 2008 m. įmonė sukūrė gamybos kontrolės sistemą, kuria remdamasi turi teisę savo gaminius žymėti CE ženklu.

Nuo 2012 m. ES pradėtas taikyti naujas standartas, kuriuo remiantis pirčių krosnelės gali būti gaminamos ir parduodamos Europoje. „Skamet“ buvo pirmoji Estijoje ir viena pirmųjų Europoje, gavusi šį sertifikatą savo produktams. Remdamiesi šių bandymų rezultatais, galime teigti, kad „Skamet“ pirties krosnelės yra efektyviausios malkomis kūrenamos krosnelės Estijoje.

Pagrindinė „Skamet“ siūloma prekė yra malkomis kūrenamos pirties krosnelės - tiek su metaliniais, tiek su tinkliniais korpusais, statomos pačiose garinėse arba kitose atskirose patalpose, su arba be jungties prie katilo, vandens talpyklos ir pan. Mūsų pirties krosnelės yra aukštos kokybės ir rankų darbo. Dėl įmontuotų dviejų dūmtakių, neleidžiančių šilumai išsisklaidyti iš krosnelės, mūsų pirties krosnelių efektyvumas siekia daugiau kaip 70 %. Tai savo ruožtu užtikrina žemą temperatūrą kamine ir jo dūmtakiuose, mažus oro taršos rodiklius, todėl didžiausias efektyvumo koeficientas išlieka židinyje / dūmtakiuose.



„Skamet“ komandos kelionė į Valmierą



# PIRTIES KROSNELĖS PASIRINKIMAS

## Gamintojas rekomenduoja:

- ❖ jei pirtyje įprastai būnate ne ilgiau kaip 2 valandas, rinkitės pirties krosnelę su metaliniu korpusu;
- ❖ jei pirtyje praleidžiate daugiau nei 2 valandas, rinkitės pirties krosnelę su tinkliniu korpusu.

## Kaip pasirinkti tinkamos galios pirties krosnelę?

Renkantis pirties krosnelę svarbu žinoti garinės kubatūrą, kad neįsigytumėte krosnelės, kuri negalės įkaitinti patalpos arba, priešingai, paaiškės, kad ji yra pernelyg galinga. Tinkamai pasirinkus pirties krosnelę, pirčiai greitai įkaitinti reikės mažiau malkų. Jei kaitinimo galia per maža, krosnelę tenka kaitinti ilgiau ir intensyviau, o tai savo ruožtu sutrumpina produkto tarnavimo laiką.

Erdvės formulė yra ilgis x plotis x aukštis. Kartu reikia atsižvelgti ir į neizoliuotus paviršius, pavyzdžiui, stiklines duris, langą, akmeninę sieną, kaminą ir pan. Galioja taisyklė, kad už kiekvieną neizoliuotą kubinį metrą prie garinės kubatūros reikia pridėti 1,2 m<sup>3</sup>.

Galima rinktis iš trijų variantų:

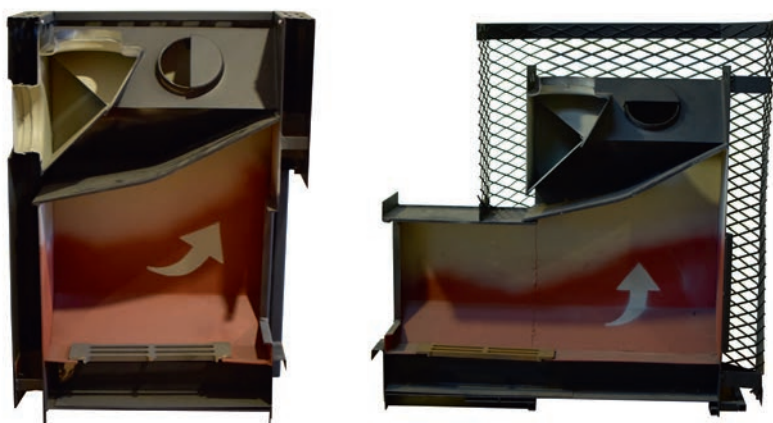
- ❖ jei garinės pirties kubatūra yra 7-12 m<sup>3</sup> - rinkitės mini pirties krosnelę;
- ❖ jei garinės pirties kubatūra yra 8-18 m<sup>3</sup> - rinkitės vidutinio dydžio pirties krosnelę;
- ❖ jei garinės pirties kubatūra yra 16-25 m<sup>3</sup> - rinkitės didelę pirties krosnelę.

## Šildymo trukmė

Jei pirties krosnelę pasirinksite pagal garinės pirties dydį ir kitus parametrus, pirties krosnelės su metaliniu korpusu įkaista maždaug per 30-45 minutes. Pirties krosnelių su tinkliniu korpusu įkaitimo laikas ilgesnis - apie 60-90 minučių. Dėl didelio kiekio akmenų garinė pirtis išlieka šilta ilgą laiką, net ir tada, kai ugnis židinyje jau būna užgesusi.

## Kaip sukonstruotos mūsų pirties krosnelės?

Nuotraukose pavaizduotas mūsų pirties krosnelių skerspjūvis. Rodyklė rodo dūmų srautą dūmų vamzdyje. Tokios konstrukcijos pirties krosnelėse liepsna nepasiekia dūmtraukio, o tai reiškia aukštesnius efektyvumo rodiklius. Standartinio modelio židinio lubos pagamintos iš 6 mm, o galinė sienelė - iš 4 mm karštai valcuoto plieno. „Skamet“ gamina dviejų tipų krosneles - su metaliniu korpusu ir tinkliniu korpusu. Visų krosnelių konstrukcija yra identiška.



# PIRTIES KROSNELĖS SU METALINIU KORPUSU

Šildomos pačioje garinėje



Pärnu mieste pirties krosnelės su metaliniu korpusu gaminamos nuo dešimtojo dešimtmečio vidurio. Iš pradžių jas gamino „Härma Metall“. Nuo 2006 m. gamintojas yra „SKAMET“. Pasirinkus tinkamą pirties krosnelę pagal patalpų dydį ir kitus parametrus (be vandens talpyklos), įkaitinimo trukmė yra apie 30-45 minutes (su vandens talpykla trukmė didėja priklausomai nuo dydžio). Taip pat būtina tinkama šviežio oro įsiurbimo ir panaudoto oro išmetimo sistema. „Skamet OÜ“ patvirtina, kad pirties krosnelės atitinka CE atitikties sertifikato reikalavimus ir kad jas gaminant yra laikomasi EN 15821:2010 standarto.

Vidutinio dydžio modelis **P-116 GL** (8-18 m<sup>3</sup>)

Didelio dydžio modelis **P-120 GL** (16-25 m<sup>3</sup>)

## Standartiniai produkto parametrai:

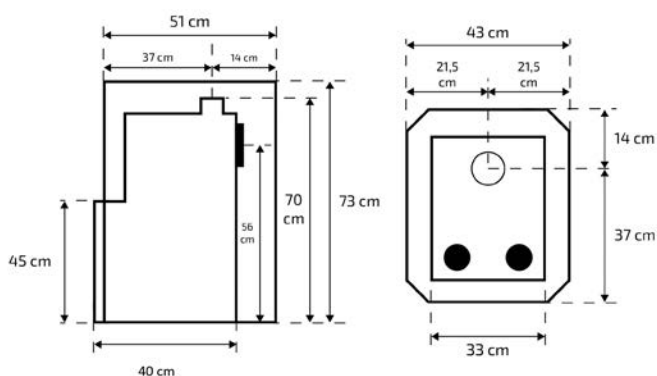
- » stiklinės durys 230 x 230 mm;
- » iš viršaus ir galo prijungtas dūmtraukis;
- » pirties krosnelės korpuso spalva - juoda;
- » kairėje pusėje montuojami durų vyriai.

## Papildomos parinktys:

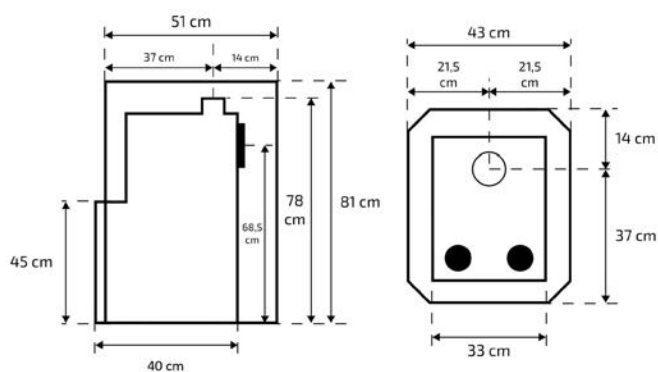
- » metalinės durys;
- » dešinėje pusėje montuojami durų vyriai;
- » nerūdijančio plieno viršutinė korpuso briauna;
- » katilo prijungimo sistema (dešinėje, kairėje, gale).



**P-116**



**P-120**





# PIRTIES KROSNELĖS SU METALINIU KORPUSU

Šildomos iš kitų patalpų



Vidutinio dydžio modelis **P-216 GL** (8-18 m<sup>3</sup>)

Didelio dydžio modelis **P-220 GL** (16-25 m<sup>3</sup>)

## Standartiniai produkto parametrai:

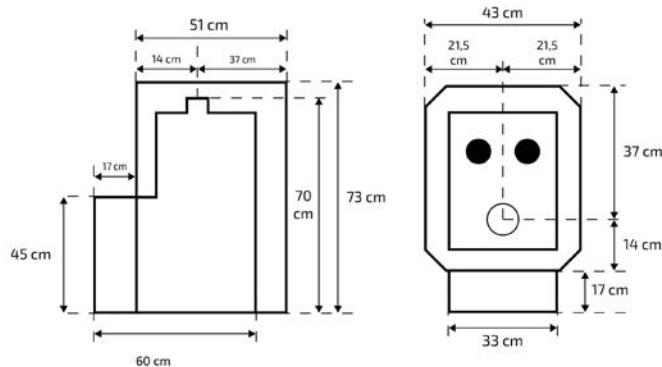
- » stiklinės durys 230 x 230 mm;
- » iš viršaus prijungtas dūmtraukis;
- » pirties krosnelės korpuso spalva - juoda;
- » kairėje pusėje montuojami durų vyriai.

## Papildomos parinktys:

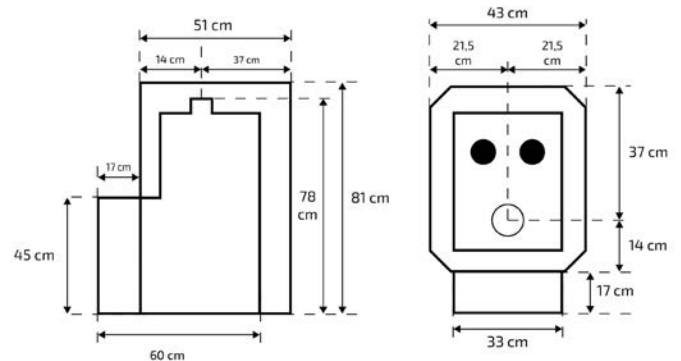
- » metalinės durys;
- » dešinėje pusėje montuojami durų vyriai;
- » nerūdijančio plieno viršutinė korpuso briauna;
- » katilo prijungimo sistema (dešinėje, kairėje, gale).



**P-216**



**P-220**



# PIRTIES KROSNELĖS SU KVADRATINIU TINKLINIU KORPUSU

Šildomos pačioje garinėje



Nuo 2006 m. vidurio gaminame pirties krosneles su tinkliniu korpusu. Pasirinkus tinkamą pirties krosnelę (be vandens rezervuaro) pagal patalpų dydį ir kitus parametrus, įkaitinimo trukmė yra maždaug 60-90 minučių (su vandens talpykla trukmė didėja priklausomai nuo dydžio). Taip pat būtinas tinkamas šviežio oro įsiurbimas ir panaudoto oro išmetimas. „Skamet OÜ“ patvirtina, kad pirties krosnelės atitinka CE atitikties sertifikato reikalavimus ir kad jas gaminant yra laikomasi EN 15821:2010 standarto.

Vidutinio dydžio modelis **S-116 GL** (8-18 m<sup>3</sup>)

Didelio dydžio modelis **S-120 GL** (16-25 m<sup>3</sup>)

## Standartiniai produkto parametrai:

- » stiklinės durys 230 x 230 mm;
- » iš viršaus prijungtas dūmtraukis;
- » pirties krosnelės korpuso spalva - juoda;
- » kairėje pusėje montuojami durų vyriai.

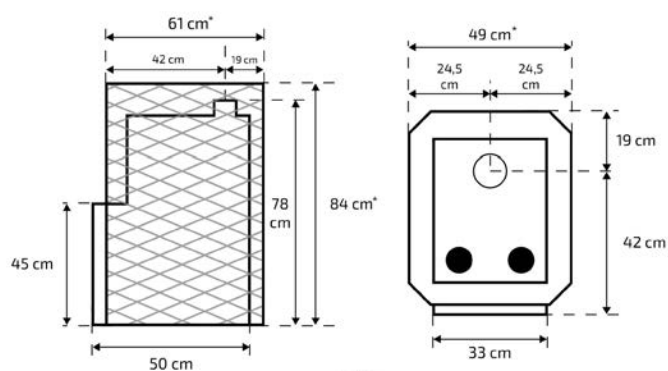
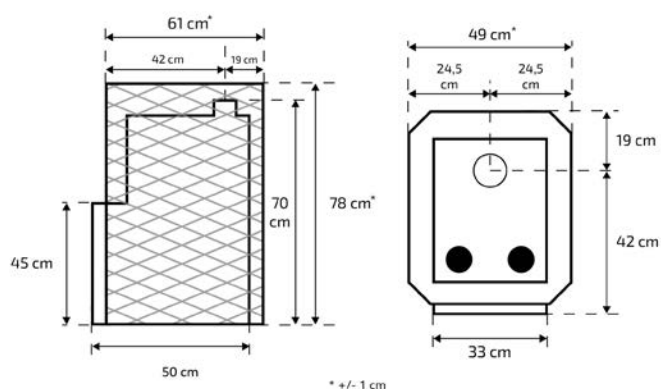
## Papildomos parinktys:

- » metalinės durys;
- » dešinėje pusėje montuojami durų vyriai;
- » dūmtraukio montavimas nuo galinės sienos;
- » katilo prijungimo sistema (dešinėje, kairėje, gale).



**S-116**

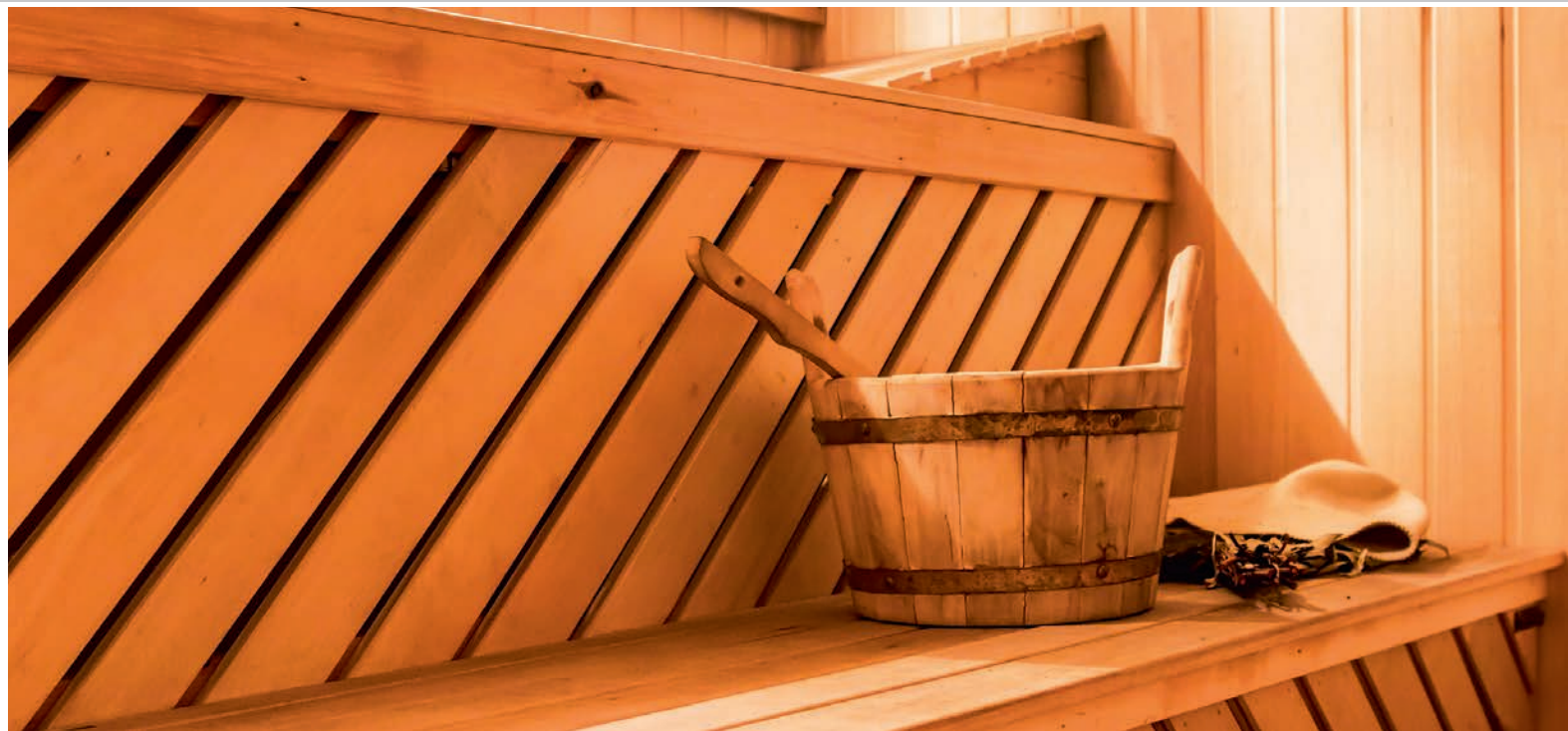
**S-120**





# PIRTIES KROSNELĖS SU KVADRATINIŲ TINKLINIŲ KORPUSU

Šildomos iš kitų patalpų



Vidutinio dydžio modelis **S-216 GL** (8-18 m<sup>3</sup>)  
Didelio dydžio modelis **S-220 GL** (16-25 m<sup>3</sup>)

## Standartiniai produkto parametrai:

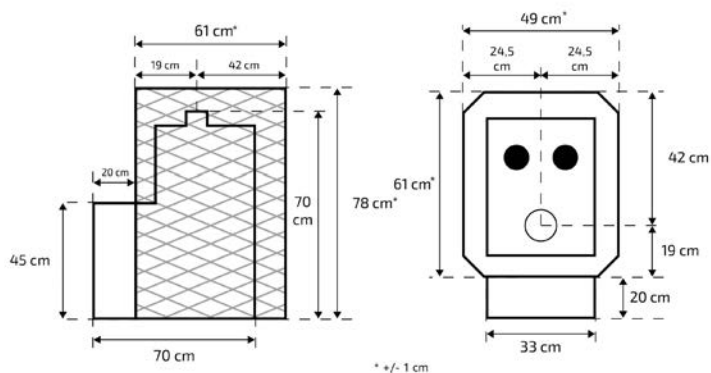
- » stiklinės durys 230 x 230 mm;
- » iš viršaus prijungtas dūmtraukis;
- » pirties krosnelės korpuso spalva - juoda;
- » kairėje pusėje montuojami durų vyriai.

## Papildomos parinktys:

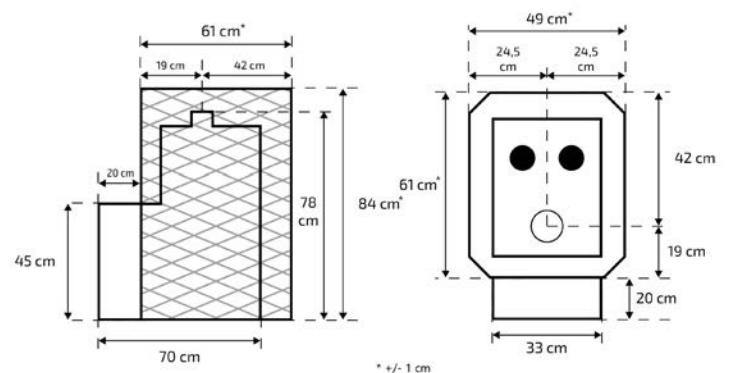
- » metalinės durys;
- » dešinėje pusėje montuojami durų vyriai;
- » dūmtraukio montavimas nuo galinės sienos;
- » katilo prijungimo sistema (dešinėje, kairėje, gale).



**S-216**



**S-220**



# PIRTIES KROSNELĖS SU APVALIU TINKLINIU KORPUSU

Šildomos pačioje garinėje



Vidutinio dydžio modelis **SY-116 GL** (8-18 m<sup>3</sup>)  
Didelio dydžio modelis **SY-120 GL** (16-25 m<sup>3</sup>)

## Standartiniai produkto parametrai:

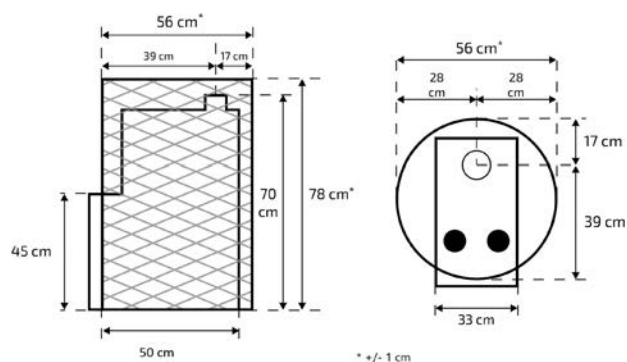
- » stiklinės durys 230 x 230 mm;
- » iš viršaus prijungtas dūmtraukis;
- » pirties krosnelės korpuso spalva - juoda;
- » kairėje pusėje montuojami durų vyriai.

## Papildomos parinktys:

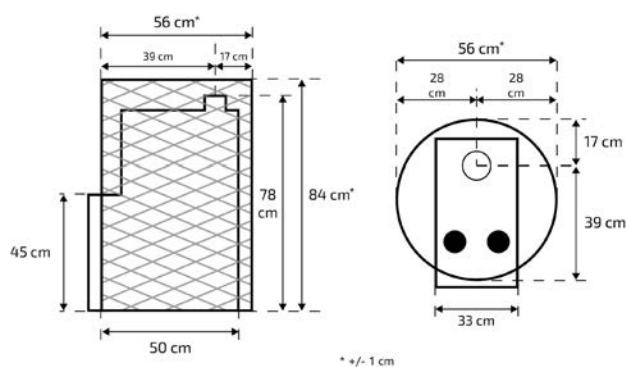
- » metalinės durys;
- » dešinėje pusėje montuojami durų vyriai;
- » dūmtraukio montavimas nuo galinės sienos;
- » katilo prijungimo sistema (dešinėje, kairėje, gale).



**SY-116**



**SY-120**





# PIRTIES KROSNELĖS SU APVALIU TINKLINIU KORPUSU

KORPUSU  
Šildomos iš kitų patalpų



Vidutinio dydžio modelis **SY-216 GL** (8-18 m<sup>3</sup>)  
Didelio dydžio modelis **SY-220 GL** (16-25 m<sup>3</sup>)

## Standartiniai produkto parametrai:

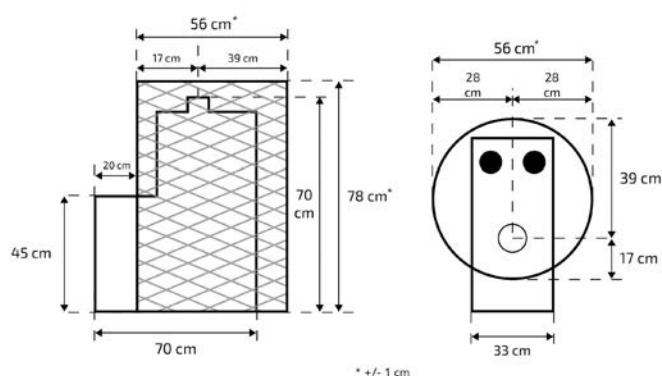
- » stiklinės durys 230 x 230 mm;
- » iš viršaus prijungtas dūmtraukis;
- » pirties krosnelės korpuso spalva - juoda;
- » kairėje pusėje montuojami durų vyriai.

## Papildomos parinktys:

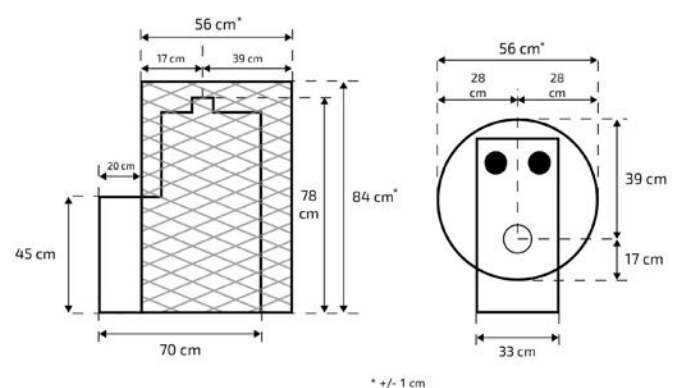
- » metalinės durys;
- » dešinėje pusėje montuojami durų vyriai;
- » dūmtraukio montavimas nuo galinės sienos;
- » katilo prijungimo sistema (dešinėje, kairėje, gale).



**SY-216**



**SY-220**



# PIRTIES KROSNELĖS SU ŽIDINIO DYDŽIO DURELĖMIS

Šildomos iš kitų patalpų, su metaliniu korpusu, nerūdijančio plieno skydeliu ir rankena



Jei norite šildyti pirtį ir tuo pat metu mėgautis gyva ugnimi sėdėdami ant sofos kitame kambaryje, pirties krosnelė su židinio dydžio durelėmis kaip tik jums. Krosnelėje įmontuotos didesnės (330x330 mm) stiklinės durys, kurios suteikia jaukumo ir tikro židinio efekto.

„Skamet OÜ“ patvirtina, kad pirties krosnelės atitinka CE atitikties sertifikato reikalavimus ir kad jas gaminant yra laikomasi EN 15821:2010 standarto.

Vidutinio dydžio modelis **PT-216 GL** (8-18 m<sup>3</sup>)

Didelio dydžio modelis **PT-220 GL** (16-25 m<sup>3</sup>)

## Standartiniai produkto parametrai:

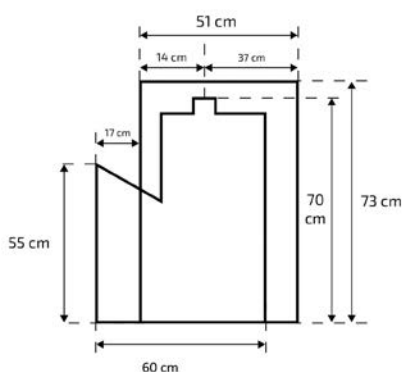
- » stiklinės durys 330 x 330 mm;
- » iš viršaus prijungtas dūmtraukis;
- » nerūdijančio plieno viršutinė korpuso briauna;
- » kairėje pusėje montuojami durų vyriai.

## Papildomos parinktys:

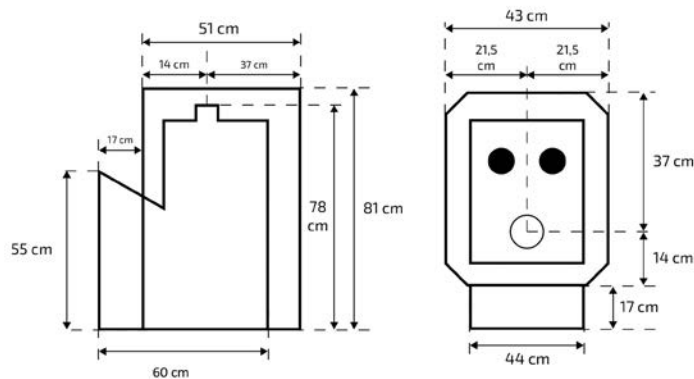
- » nerūdijančio plieno korpusas;
- » dešinėje pusėje montuojami durų vyriai;
- » dūmtraukio montavimas nuo galinės sienos;
- » katilo prijungimo sistema (dešinėje, kairėje, gale).



**PT-216 GL**



**PT-220 GL**





# PIRTIES KROSNELĖS SU ŽIDINIO DYDŽIO DURELĖMIS

Šildomos iš kitų patalpų, kvadratinis arba apvalus korpusas

Vidutinio dydžio modelis **ST-216 GL** (8-18 m<sup>3</sup>), kvadratinis korpusas

Didelio dydžio modelis **ST-220 GL** (16-25 m<sup>3</sup>), kvadratinis korpusas

Vidutinio dydžio modelis **STY-216 GL** (8-18 m<sup>3</sup>), apvalus korpusas

Didelio dydžio modelis **STY-220 GL** (16-25 m<sup>3</sup>), apvalus korpusas

## Standartiniai produkto parametrai:

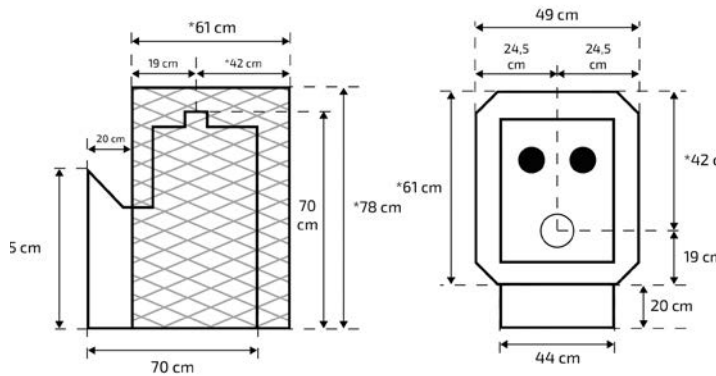
- » stiklinės durys 330 x 330 mm;
- » iš viršaus prijungtas dūmtraukis;
- » pirties krosnelės korpuso spalva - juoda;
- » kairėje pusėje montuojami durų vyriai.

## Papildomos parinktys:

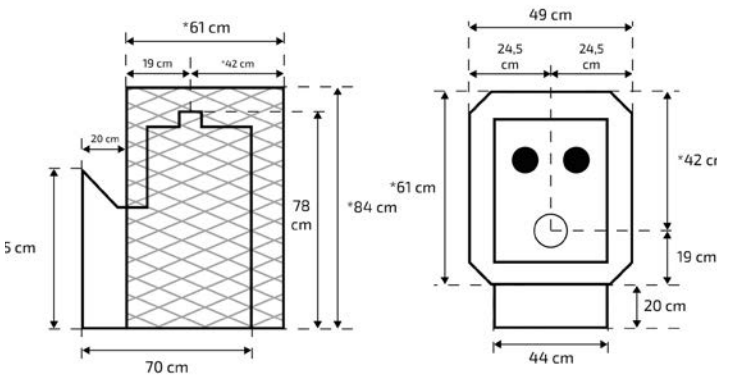
- » metalinės durys;
- » dešinėje pusėje montuojami durų vyriai;
- » dūmtraukio montavimas nuo galinės sienos;
- » katilo prijungimo sistema (dešinėje, kairėje, gale).



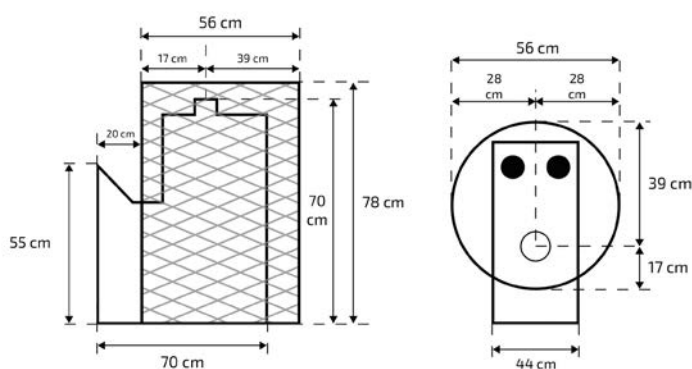
**ST-216 GL**



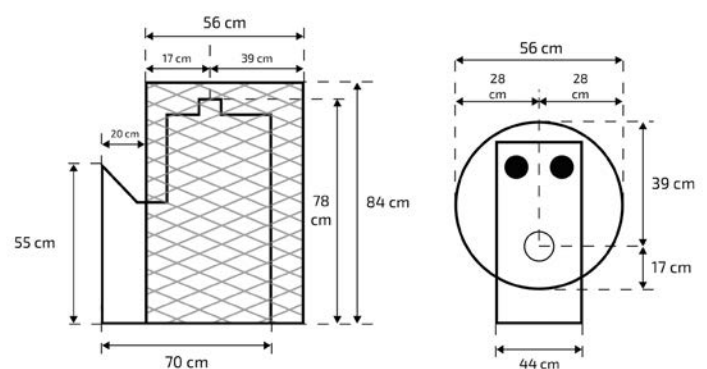
**ST-220 GL**



**STY-216 GL**



**STY-220 GL**



# PIRTIES KROSNELĖS PRIJUNGTOS PRIE VANDENS TALPYKLOS

Visas vidutinio dydžio ir didelės pirties krosnelės gaminame su galimybe prijungti vandens talpyklą. Vandens talpyklą galima prijungti iš dešinės, kairės arba galinės pusės.

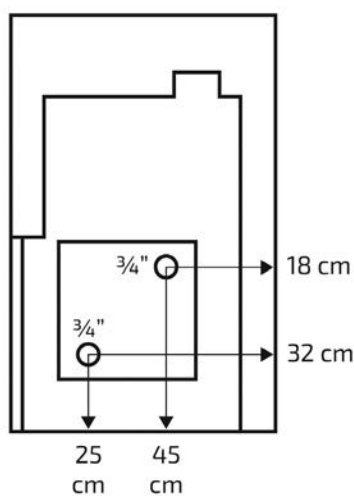
Vanduo tiekiamas ir išleidžiamas dviem ¾" jungtimis (išorinis sriegis).

Vandens šildytuvo talpa yra maždaug 3 l.

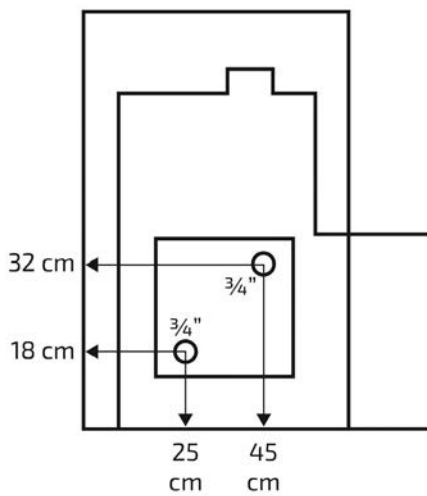


## Krosnelių su metaliniu korpusu prijungimo prie katilo schemos

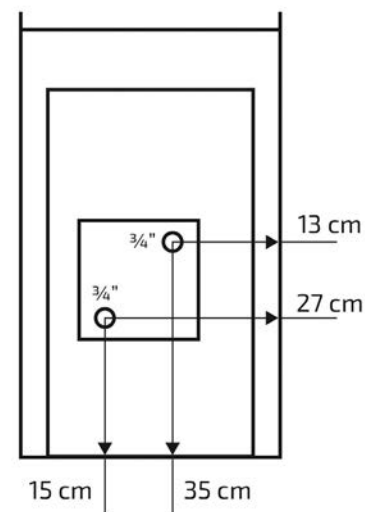
Prijungimas iš dešinės pusės



Prijungimas iš kairės pusės



Prijungimas iš galo





# PIRTIES KROSNELĖS SU 40 L VANDENS TALPYKLA



Pirties krosnelė su vandens talpykla yra geras pasirinkimas vasarnamiuose ar kaimo pirtyse, nes jų vandens talpa yra 40 l. Jei jūsų pirtis įrengta prie upės ar ežero, kur nėra tinkamos vandentiekio sistemos, bet vis tiek norite karšto vandens, tuomet krosnelė su vandens talpykla yra puikus sprendimas. Kol šildytuvas šildo garinę, talpykla greitai įkaista ir tiekia karštą prausimosi vandenį. Kadangi šildytuvo talpykla yra išmontuojama, ją lengva pakeisti. Talpyklą galima užsisakyti pagamintą iš juodo metalo arba nerūdijančio plieno.

**PASTABA!** Jei vandens kokybė prastesnė, tikrai patartina rinktis nerūdijančio plieno talpyklą, nes juodasis metalas rūdija, todėl vanduo gali būti netinkamas prausti.

## Šildomos pačioje garinėje:

Vidutinio dydžio modelis **P-11640 GL / P11640 RVGL** (8-18 m<sup>3</sup>)  
Didelio dydžio modelis **P-12040 / P-12040 RV** (16-25 m<sup>3</sup>)

## Šildomos iš kitų patalpų:

Vidutinio dydžio modelis **P-21640 GL / P-21640 RVGL** (8-18 m<sup>3</sup>)  
Didelio dydžio modelis **P-22040 GL / P-22040 RVGL** (16-25 m<sup>3</sup>)

### Standartiniai produkto parametrai:

- » stiklinės durys 230 x 230 mm;
- » iš viršaus prijungtas dūmtraukis (taip pat iš galo, jei šildomos toje pačioje patalpoje);
- » nerūdijančio plieno viršutinė korpuso briauna;
- » kairėje pusėje montuojami durų vyriai.

### Papildomos parinktys:

- » metalinės durys;
- » dešinėje pusėje montuojami durų vyriai;
- » nerūdijančio plieno korpusas.



# PIRTIES KROSNELĖS SU 20-25 L NERŪDIJANČIO PLIENO VANDENS TALPYKLA



## Šildomos pačioje garinėje

Vidutinio dydžio modelis P-11620 RVGL (8-18 m<sup>3</sup>)

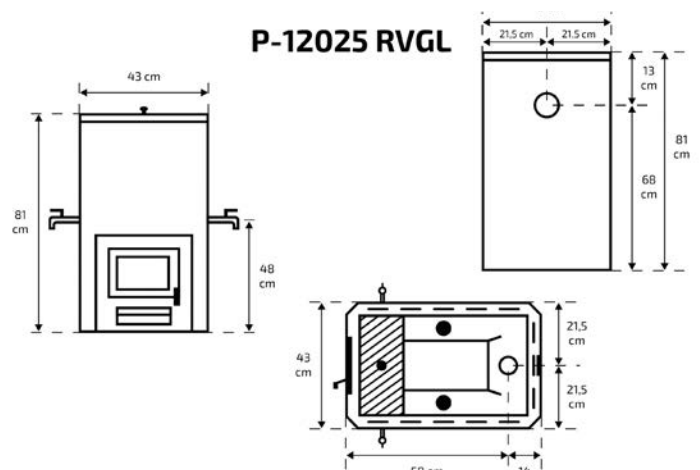
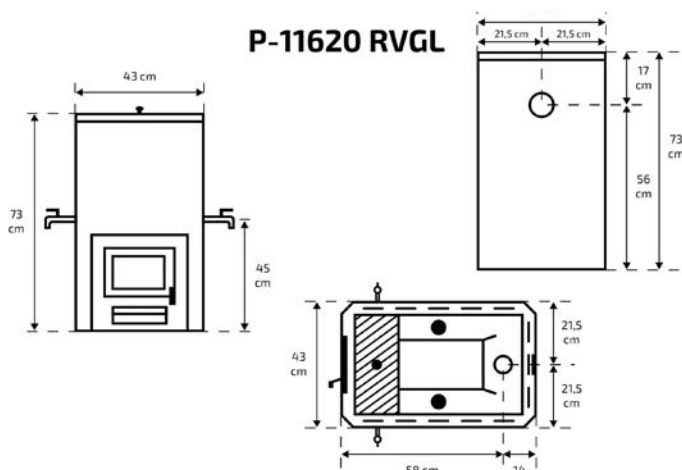
Didelio dydžio modelis P-12025 RVGL (16-25 m<sup>3</sup>)

### Standartiniai produkto parametrai:

- » stiklinės durys 230 x 230 mm;
- » iš viršaus ir galo prijungtas dūmtraukis;
- » priekyje įrengta nerūdijančio plieno vandens talpykla;
- » kairėje pusėje montuojami durų vyriai;
- » nerūdijančio plieno viršutinė korpuso briauna.

### Papildomos parinktys:

- » metalinės durys;
- » dešinėje pusėje montuojami durų vyriai;
- » nerūdijančio plieno korpusas.





# MINI PIRČIŲ KROSNELĖS

Su metaliniu korpusu



Mini pirčių krosnelių modeliai skirti mažesnėms pirčių patalpoms ir apvalioms pirtims šildyti ir yra skirti tiek sausų, tiek drėgnų garų tiekimui. Krosnelės turi dvigubą sienelę iš trijų pusių (šonuose ir gale), todėl minimalus leistinas saugus atstumas sumažinamas perpus.

„Skamet OÜ“ patvirtina, kad pirties krosnelės atitinka CE atitikties sertifikato reikalavimus ir kad jas gaminant yra laikomasi EN 15821:2010 standarto.

**PS-110 GL** modelis (7-12 m<sup>3</sup>), šildomas pačioje garinėje

**PS-210 GL** modelis (7-12 m<sup>3</sup>), šildomas iš kitų patalpų

### Standartiniai produkto parametrai:

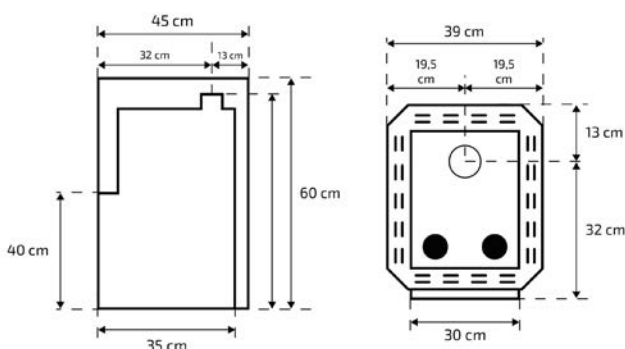
- » stiklinės durys 200 x 220 mm;
- » iš viršaus prijungtas dūmtraukis;
- » pirties krosnelės korpuso spalva - juoda;
- » kairėje pusėje montuojami durų vyriai.

### Papildomos parinktys:

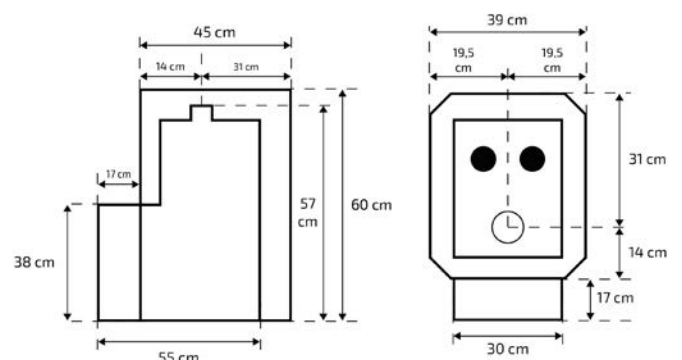
- » nerūdijančio plieno rankena;
- » dešinėje pusėje montuojami durų vyriai;
- » nerūdijančio plieno korpusas.



**PS-110 GL**



**PS-210 GL**



# MINI PIRČIŲ KROSNELĖS

Su tinkliniu korpusu

## Šildomos pačioje garinėje:

SS-110 GL modelis (7-12 m<sup>3</sup>), kvadratinis korpusas

SSY-110 GL modelis (7-12 m<sup>3</sup>), apvalus korpusas

## Šildomos iš kitų patalpų:

SS-210 GL modelis (7-12 m<sup>3</sup>), kvadratinis korpusas

SSY-210 GL modelis (7-12 m<sup>3</sup>), apvalus korpusas

### Standartiniai produkto parametrai:

- » stiklinės durys 200 x 220 mm;
- » iš viršaus prijungtas dūmtraukis;
- » kairėje pusėje montuojami durų vyriai.

### Papildomos parinktys:

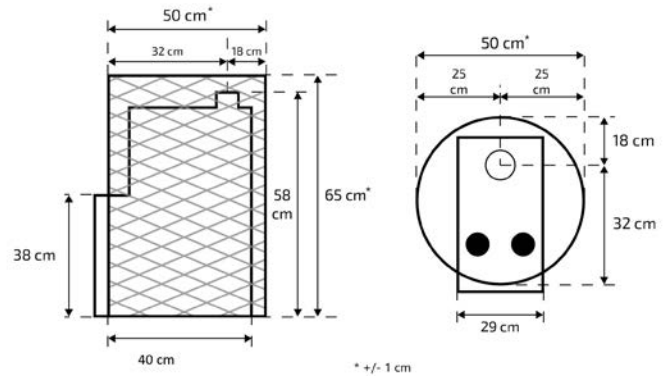
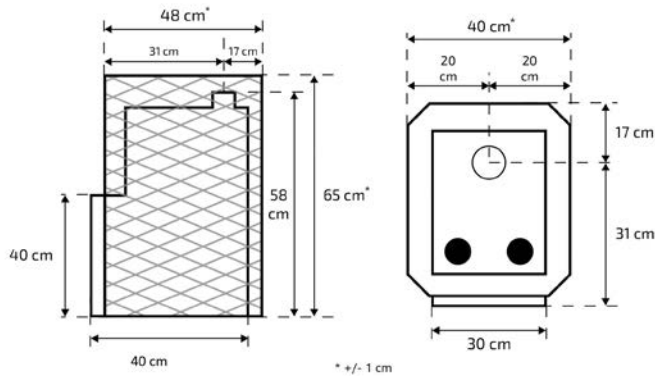
- » nerūdijančio plieno rankena;
- » dešinėje pusėje montuojami durų vyriai;
- » nerūdijančio plieno korpusas.



## Krosnelės, šildomos pačioje garinėje, schema

SS-110 GL

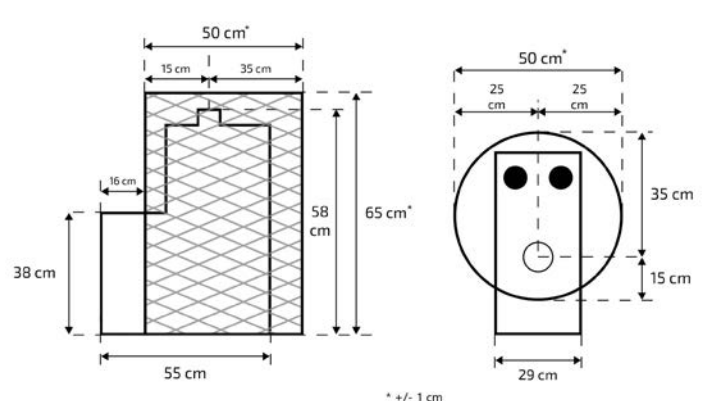
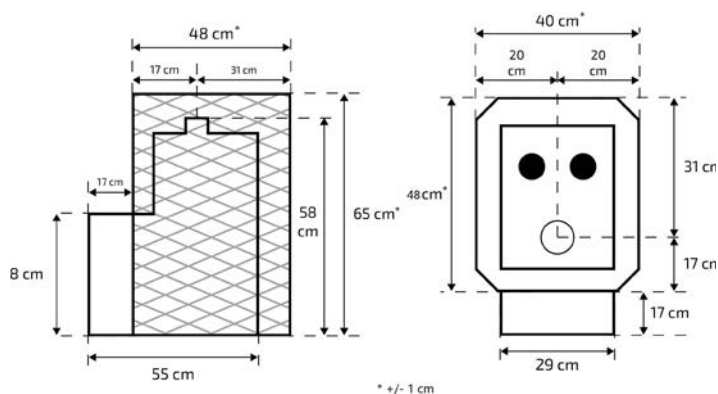
SSY-110 GL



## Krosnelės, šildomos iš kitų patalpų, schema

SS-210 GL

SSY-210 GL





# KROSNYS-VIRYKLĖS, RŪKYMO KROSNYS, KEPSNINĖS

Krosnys idealiai tinka gaminti maistą ir šildyti patalpas vasarnamiuose ir sodybose, kurių šildomas tūris yra 20 -150 m<sup>3</sup>. Krosnys pagamintos pagal EN 13240:2007 standartą.

## Krosnis-viryklė - C-120 GL

### Standartiniai produkto parametrai:

- » stiklinės durys 230 x 230 mm;
- » dūmtraukio prijungimas iš galo;
- » ketaus kepimo padėklas;
- » malkų laikymo vieta.



## Rūkymo krosnys

2008 m. „Skamet OÜ“ pristatė rūkymo krosnis, skirtas žuviai, mėsai ir paukštienai karštai rūkyti. Krosnis galima naudoti vasarnamyje, privataus namo sode ar užmiesčio sodyboje. Karšto rūkyimo krosnis įrengta su dvigubomis sienelėmis (šonuose ir gale), tarp kurių judantys kaitinimo dūmai palaiko stabilią ir tolygią temperatūrą krosnyje. Jei lauko temperatūra žema, dvigubos sienelės neleidžia rūkyimo krosnyje susidaryti kondensatui.

### Gaminame trijų skirtingų dydžių:

**GSS-125:** 40x40x125 cm, su dviem kepimo grotelėmis

**GSS-200:** 50x50x170 cm, su keturiomis kepimo grotelėmis

**GSS-200 XL:** 50x50x190 cm, su šešiomis kepimo grotelėmis

### Standartiniai produkto parametrai:

- » nerūdijančio plieno kepimo grotelės;
- » aliejaus ir (arba) vandens vonelė;
- » kvadratinis kaminas su sklende (nuimama);
- » termometras;
- » pelenų skyrius;
- » iešmų laikikliai.



## Kepsninės

Gaminame įvairių dydžių kepsnines, kurias lengva naudoti ir pasiimti su savimi stovyklaujant.

**LV-100:** 100x40x17cm

**LV-70:** 70x30x17cm

**LV-50:** 50x30x17cm

### Standartiniai produkto parametrai:

- » nuimamos kojelės
- » sienelių storis - 3 mm
- » aukštis - 90 cm



## Ugniakurai

Ugniakurai skirti ugniai kurti arba mėsai kepti.

### Standartiniai produkto parametrai:

- » skersmuo - 450 mm
- » aukštis - 300 mm
- » medžiagos storis 2 mm (galima naudoti ir storesnę medžiagą)
- » kojelės



# VANDENS TALPYKLOS

Gaminame įvairias talpyklas: vandens talpyklas, kaupimo talpyklas. Tiek iš juodojo metalo, tiek iš nerūdijančio plieno. Standartinis vandens talpyklos skersmuo yra 40 arba 45 cm, o talpa - 80-150 litrų. Gaminame tiek uždaros sistemos vandens talpyklas, kurias galima prijungti prie vandentiekio tinklo, tiek atviros sistemos vandens talpyklas, kurias galima naudoti be slėgio. Vandens talpyklas galima užsisakyti horizontalias arba vertikalias. Visas vandens talpyklas rekomenduojama įžeminti.

## Uždarnosios sistemos vandens talpyklos

B-80, B-110, B-130, B-150

### Standartiniai produkto parametrai:

- » talpa (80-150 litrų);
- » horizontali arba vertikali (jungtys iš kairės arba iš dešinės);
- » juodasis metalas (3 mm);
- » nerūdijantis plienas (2 mm) su anodu ir įžeminimo gnybtu;
- » skersmuo - 400 mm arba 450 mm.



## Atviros sistemos vandens talpyklos

BO-80, BO-110, BO-130, BO-150

### Standartiniai produkto parametrai:

- » talpa (80-150 litrų);
- » jungtys iš dešinės arba iš kairės;
- » juodasis metalas (3 mm);
- » nerūdijantis plienas (2 mm);
- » skersmuo - 400 mm arba 450 mm;
- » ½“ antgalis apačioje vandeniui nuleisti.



PASTABA! Visų mūsų produktų schemas galite rasti svetainėje [www.skamet.ee](http://www.skamet.ee)



# PIRČIŲ KROSNELIŲ PRIEDAI

„Skamet“ gamina įvairaus skersmens ir dydžio viensluksnius dūmtraukius. Be tiesių vamzdžių, gaminame dūmtraukių alkūnes ir sklendes, skirtas tiek pirčių krosnelėms, tiek židiniams. Standartiniai gaminiai turi 1,2 mm storio sienelės. Juos taip pat galima pagaminti iš storesnių medžiagų. Visi dūmtraukiai gaminami iš juodojo metalo. Prie mūsų produktų taip pat priskiriami įvairūs dekoratyviniai lipdiniai ir tinkleliai, kuriais apjuosiamas dūmtraukis.

## Dūmtraukių vamzdžiai

**Standartiniai produkto parametrai:**

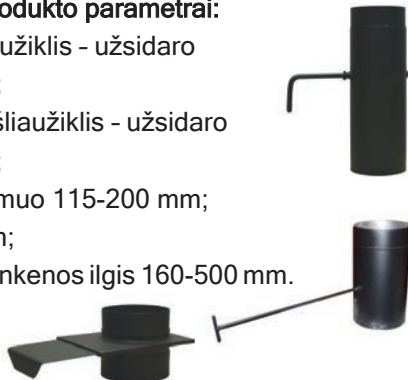
- » ilgis (500-1000 mm);
- » skersmuo - 115-200 mm;
- » storis - 1,2 mm.



## Dūmtraukių sklendės

**Standartiniai produkto parametrai:**

- » stalčiaus šliaužiklis - užsidaro maždaug 95 %;
- » pasukamas šliaužiklis - užsidaro maždaug 80 %;
- » vidinis skersmuo 115-200 mm;
- » storis 1,2 mm;
- » TS modelio rankenos ilgis 160-500 mm.



## Dūmtraukio kepurėlė

Šis produktas sukurtas taip, kad nuosėdos nepatektų į kaminą ir krosnelę. Medžiaga - juodasis metalas, storis - 1,2 mm.



## Dūmtraukį juosiantis tinklas

**Standartiniai produkto parametrai:**

- » uždarytas arba atlenkiamas;
- » ilgiai: 250, 380, 500, 600, 700, 800, 1000 mm;
- » skersmuo - 250 mm.



## Apsauginės sienelės

Gaminame įvairių dydžių apsaugines sienelės pirties krosnelėms.



## Dūmtraukių alkūnės

**Standartiniai produkto parametrai:**

- » ilgiai (išoriniai matmenys): 300x300, 400x400, 400x600, 600x600, 400x1000 mm;
- » skersmuo 115-200 mm;
- » storis 1,2 mm;
- » alkūnės laipsniai (90-135°);
- » taip pat galima įrengti valymo liuką.



## Dūmtraukių jungtys

Dūmtraukių jungtys skirtos sujungti arba pratęsti du skirtingo skersmens dūmtraukius. Standartinis skersmuo nuo 103 mm iki 200 mm. Gali būti gaminami ir kitokio skersmens. Medžiaga - juodasis metalas, storis 1,2 mm, aukštis 200 mm. Gali būti pagamintos iš storesnės medžiagos ir skirtingų ilgių.



## Dekoratyviniai skersiniai pirties krosnelės durelės

**Standartiniai produkto parametrai:**

- » iš kitų patalpų šildomiems modeliams;
- » pagaminti iš juodojo metalo arba nerūdijančio plieno;
- » padengia maždaug 3,5 cm tarpą;
- » galima užsisakyti įvairių dydžių.



## Priešgaisrinė dugno danga

Gaminame įvairių dydžių priešgaisrinę dugno danga pirties krosnelėms skirtas dugno plokštes.





MĚGAUKITĚS GARAIS!



**SKAMET**

**OÜ Skamet**  
Savi 9, Pärnu  
Estija  
+372 440 1001  
info@skamet.ee  
www.skamet.ee





LIGHTHOUSE  
Vertimai

Lighthouse vertimai, MB  
Įmonės kodas: 306726181  
Mindaugo g. 13, Mažeikiai  
www.lighthousevertimai.lt  
Vertimai@lighthousevertimai.lt  
Telefono numeris: +37067000089



## Vertimo sertifikatas

SERTIFIKATO NR. 576

2025-03-14

Mes, MB „Lighthouse vertimai“, įmonės kodas 306726181, patvirtiname, kad pateiktas vertimas yra teisingas, tikslus ir atitinka pateiktą originalą. Vertimą atliko kvalifikuotas vertėjas, kompetentingas versti pagal šį kalbų derinį.

**Vertimas iš:** Anglų k. į lietuvių k.  
**Vertėjo vardas:** Germantas Barkauskis  
**Adresas:** Mindaugo g. 13-9, Mažeikiai  
**Telefono numeris:** +370 670 00089



**Vertėjo parašas**

**Įmonės antspaudas**